

# DIY RAINSTICK

How to Make Your Very Own Rainstick

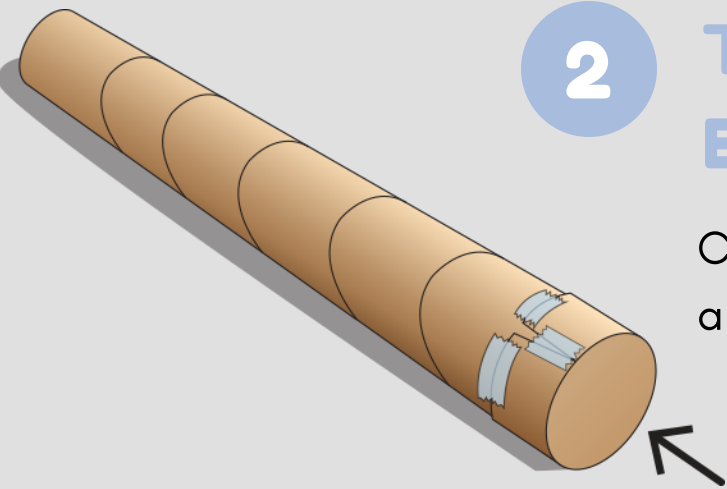
## 1 GATHER YOUR MATERIALS

You'll need a paper towel roll, rice or dried beans, paper, tape, and something to decorate with!



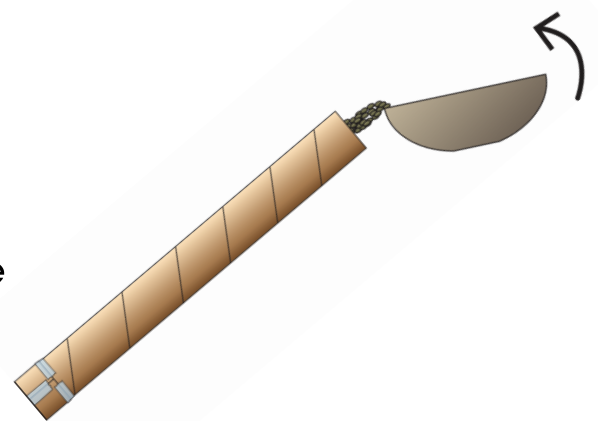
## 2 TAPE PAPER ON ONE END

Cover one end of the tube with paper, and tape ALL the way around.



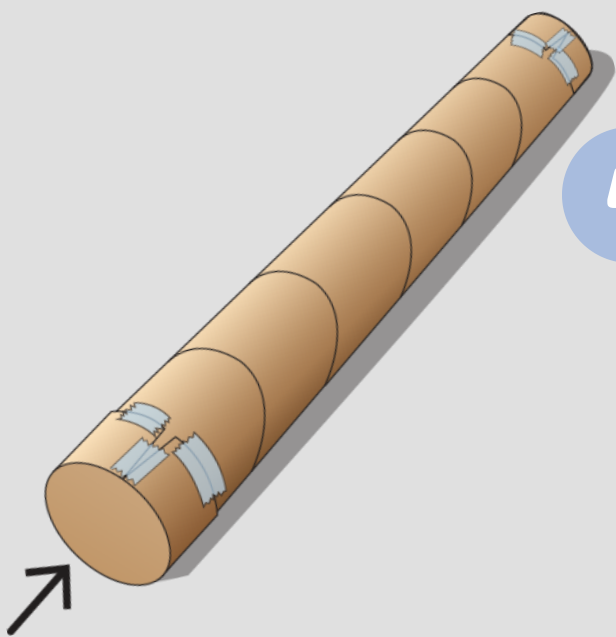
## 3 INSERT YOUR BEANS

Put your beans, pasta or rice in the open end of the paper towel roll



## 4 COVER THE OTHER END

Tape your paper on the other open end of the paper towel roll



## 5 DECORATE!

Use your markers, crayons, paint or chalk to decorate your rainstick!



Need extra help? Visit our website!

<https://www.upstatemusictherapycenter.com/may-resources/>